

BULLETIN NUMBER: BTB-REF-CTL
 CATEGORY: Hardware
 BULLETIN: BASYX Refrigeration Control Scheme
 DATE: June 6, 2007

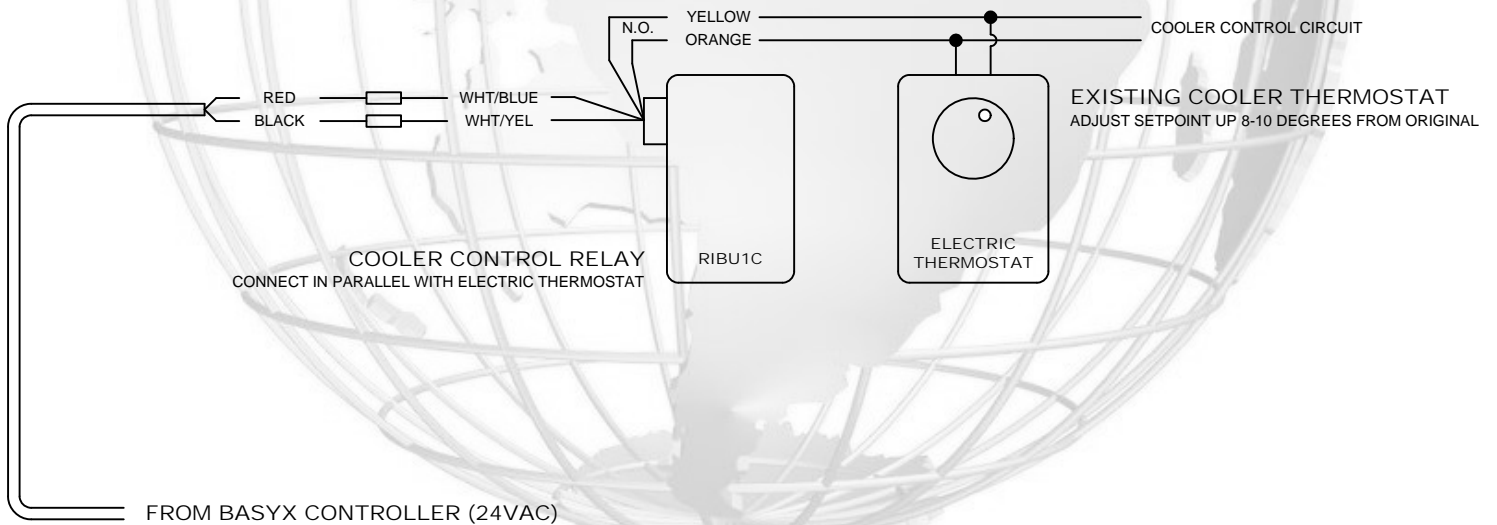
The BASYX system can provide control of coolers and freezers in convenience store applications. There is always concern when controlling equipment when perishable products are involved, and substantial loss of said product and associated cost is a possibility upon a failure of the control system.

TMS recognizes the issues involved with this type control, and utilizes **redundant** control strategies when applying our controls. All existing thermostats remain in the circuit as provided under the initial installation, and the BASYX system controls a relay in parallel with the existing thermostat.

The existing thermostat setting is adjusted to approximately 8-10 degrees higher than originally set, and the BASYX system controls the relay to maintain normal operating conditions. If the BASYX system fails, the temperature will rise to a point where the existing thermostat will control as originally designed, albeit at a higher temperature.

This strategy insures that product integrity is maintained, regardless of the BASYX operating condition.

Below is a typical wiring diagram showing the physical interface:



Please contact our office if you have questions concerning any portion of this bulletin.